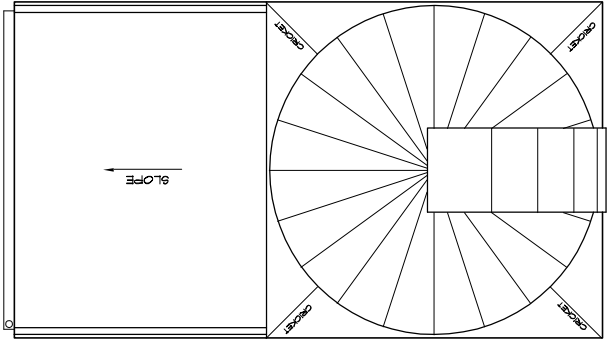
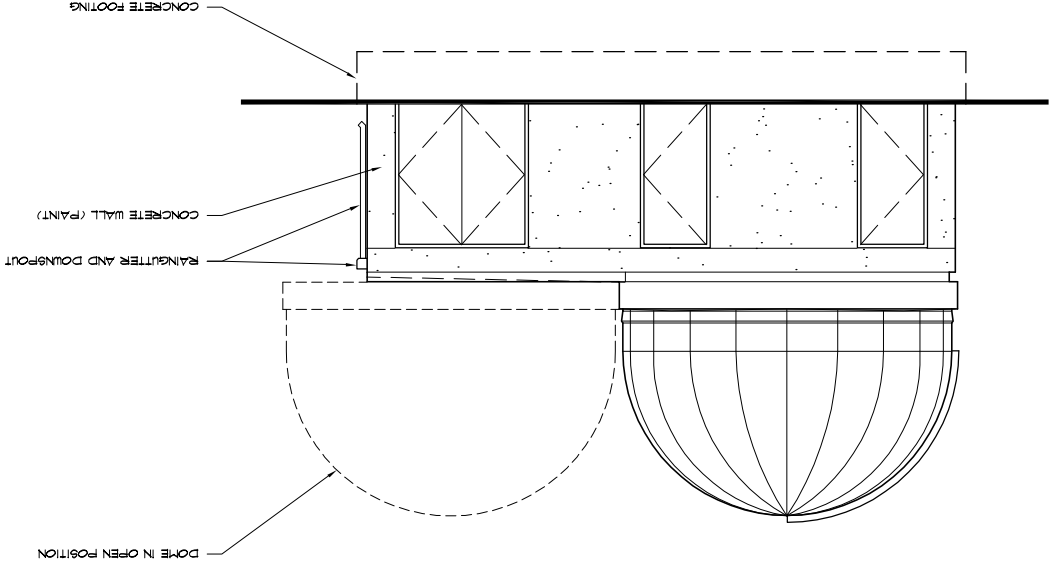


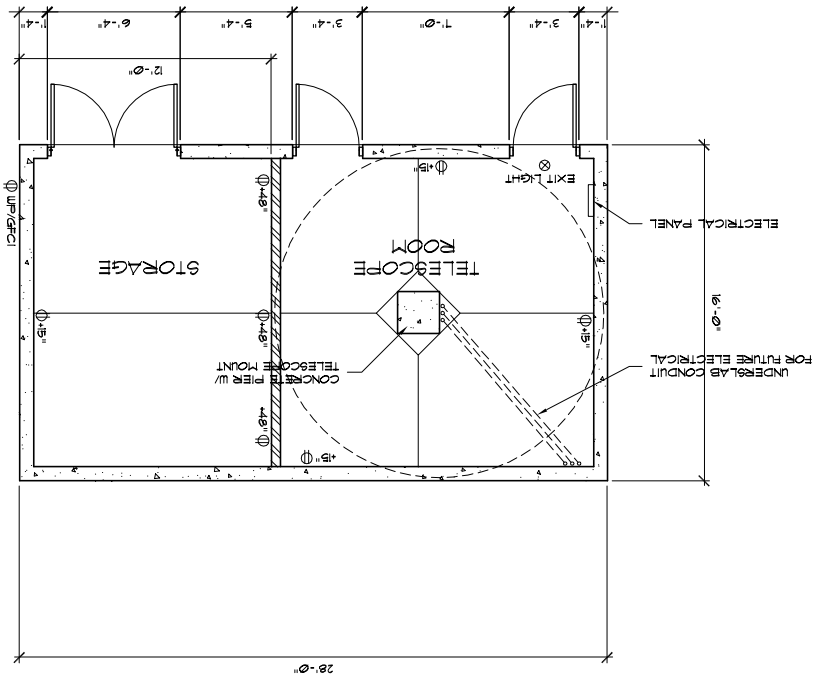
2 Roof Plan
1/4" = 1'-0"
PROJECT NORTH



3 East Elevation (WEST ELEVATION SIMILAR)
1/4" = 1'-0"
PROJECT NORTH



1 Roof Plan
1/4" = 1'-0"
PROJECT NORTH



4 Building Section
1/4" = 1'-0"
PROJECT NORTH

3 East Elevation (WEST ELEVATION SIMILAR)
1/4" = 1'-0"
PROJECT NORTH

2 Roof Plan
1/4" = 1'-0"
PROJECT NORTH

1 Roof Plan
1/4" = 1'-0"
PROJECT NORTH